

GalvinSafe[®] Axion[®] MSR ABS Shower Head (HAWS)

PRODUCT CODE:

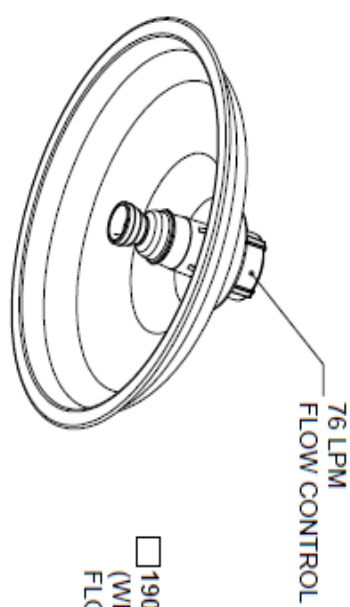
Galvin Engineering: 190.92.00.10

HAWS: SP829



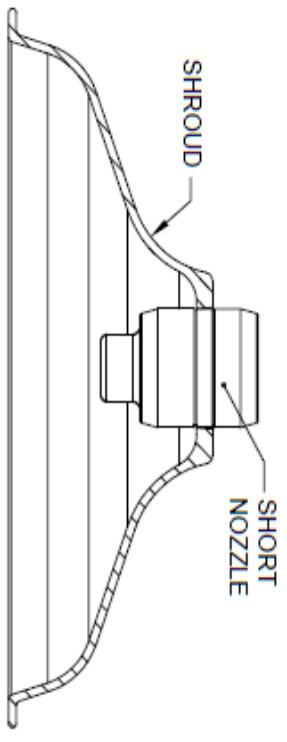
INSTALLATION

Refer to installation drawing for installation procedure.

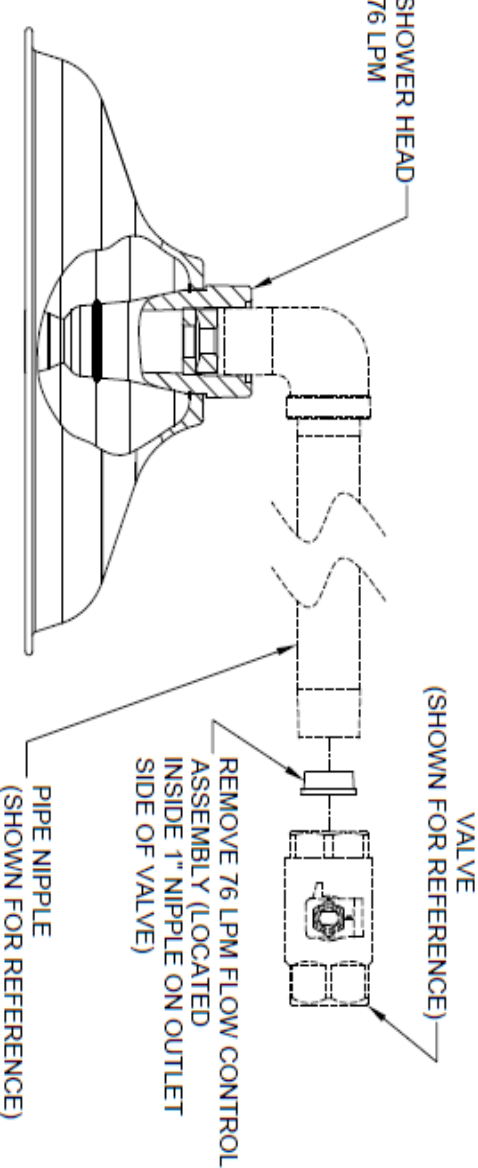


EXISTING SHOWER HEAD
(SHROUD TYPE WITH INTEGRAL FLOW CONTROL)
 STYLE A

190.92.00.10 ABS SHOWER HEAD
(WITH INTEGRAL 76 LPM FLOW CONTROL)



EXISTING SHOWER HEAD
(SHORT NOZZLE TYPE WITH EXTERNAL FLOW CONTROL
MAY OR MAY NOT INCLUDE SHROUD)
 STYLE B



FLOW CONTROL REMOVAL FROM EXISTING SHOWER
(APPLIES ONLY TO SHOWERS WITH A SHORT NOZZLE
SHOWER HEAD - SEE STYLE B)
DETAIL A

NOTES:

- 1 IF NECESSARY, USE DOW CORNING 832 SEALANT, PLACING 5 SMALL BEADS ON THE MALE THREADS OF MATING PART (JUST ABOVE THE FIRST THREAD) BEFORE ASSEMBLING HEAD.
- 2 REPLACEMENT INSTRUCTIONS FOR EXISTING SHOWER HEADS SHOWN ABOVE:
STYLE A) IF EXISTING HEAD IS SHROUD TYPE WITH INTERNAL FLOW CONTROL; REPLACE WITH NEW 190.92.00.10 HEAD. NO OTHER MODIFICATIONS ARE REQUIRED.

STYLE B) IF EXISTING HEAD IS SHORT NOZZLE TYPE (MAY OR MAY NOT HAVE A SHROUD ATTACHED)
A 76 LPM FLOW CONTROL IS PRESENT INSIDE OVERHEAD NIPPLE AND MUST BE REMOVED PRIOR TO INSTALLING NEW 190.92.00.10 SHOWER HEAD.
(SEE DETAIL A)

DISTRIBUTED BY:

GalvinEngineering
the mark of reliability

410 VICTORIA RD MALAGA WA
 AHN: 75 005 719 362
 +61 8 9338 2344 FAX: +61 8 9338 2340
 EMAIL: sales@galvinengineering.com.au
 WEBSITE: www.galvinengineering.com.au

Haws®

ESN NO. REVISED PER BY:	MODEL(S)	PART NUMBER
4111 ESN: 4723 HML	190.92.00.10 (SP829)	0002080268
DRAWN BY DATE:	ISSUED BY CHECKED:	DRAWING NO. REV
IF 8/22/10	CHRYL	15351A00 7
APPROVED BY DATE:	SCALE: 3/2 DRAWING TYPE:	INSTALLATION
	SIZE: A SHEET: 1 OF 1	

WARRANTY

The warranty set forth herein is given expressly and is the only warranty given by the Galvin Engineering Pty Ltd. With respect to the product, Galvin Engineering Pty Ltd makes no other warranties, express or implied. Galvin Engineering Pty. Ltd. hereby specifically disclaims all other warranties, express or implied, including but not limited to the implied warranties of merchantability and fitness for a particular purpose.

Galvin Engineering Pty Ltd products are covered under our manufacturer's warranty available for download from www.galvinengineering.com.au Galvin Engineering Pty Ltd expressly warrants that the product is free from operational defects in workmanship and materials for the warranty period as shown on the schedule in the manufacturer's warranty. During the warranty period, Galvin Engineering will replace or repair any defective products manufactured by Galvin Engineering without charge, so long as the terms of the Manufacturer's warranty are complied with.

The remedy described in the first paragraph of this warranty shall constitute the sole and exclusive remedy for breach of warranty, and Galvin Engineering Pty Ltd shall not be responsible for any incidental, special or consequential damages, including without limitation, lost profits or the cost of repairing or replacing other property which is damaged if this product does not work properly, other costs resulting from labour charges, delays, vandalism, negligence, fouling caused by foreign material, damage from adverse water conditions, chemical, electrical or any other circumstances over which Galvin Engineering has no control. This warranty shall be invalidated by any abuse, misuse, misapplication, improper installation or improper maintenance or alteration of the product.